

# STAIRLIFT PLATFORM HDP-1

R06.2

 OFFER

 ORDER

Offer No.

Order No.

Valued by

## Customer Data

Customer  Tel.  Ref.

Contact Person  Cell.  Date

E-mail  Fax  Delivery Date

## Offer Data

## General Characteristics

Load  300 kg Speed  0.1 m/s Boarding  90°  180°  Three-Phase 230 V

Travel  mm (travel. max. 3000 mm) Scape  mm Voltage  Three-Phase 400

Platform dimensions  A x  B mm Pit  mm  Single-Phase 230 V

(standard 1250 x 950 mm) (see page 2) (minimum pit 150 mm)  Other

## Options

Keys  Yes  No (number and position must be indicated) Doors  Yes  No (especificar mano en observ. y hoja de planos) Other finishings  Yes  No (Standard: RAL 7035 and RAL 9005 mixed)

Control Function at 24 V  Yes Indicator light of overload  Yes  No Remote Control  Calling  No

Antislid steel Floor  Yes  No (por defecto goma negra) Finishing with panted sheets  Yes  No (Standard: with glass) Ramp to fix in the 0 Floor  Yes  No

Prepared for outdoor  Yes  No Folding Seat  Yes  No Hydraulic group-platform distance  Standard (3 m)  Other  m

**Standard Equipment** Automatic reinvelling - Safety plate - Stop - Emergency dispositive to avoid the electric csupply cut in descent - Fix protection in the rail zone - Protecction in panted sheet and glass (high 1200 mm) - Three-phase engine - Control function at 24V - Closet for the hydraulic group and the electric panel with special key to open.

Observations

(all data will be erased!)

### Travels, guides and scapes table

Travel	Guides length	Min. Scape
500	2275	1635
750	2275	1385
1000	2755	1615
1250	3340	1950
1500	2990	1350
1750	3340	1450
2000	3715	1575
2250	4090	1700
2500	4465	1825
2750	4840	1950
3000	5225	2085

OFFER

ORDER

Offer No.

Order No.

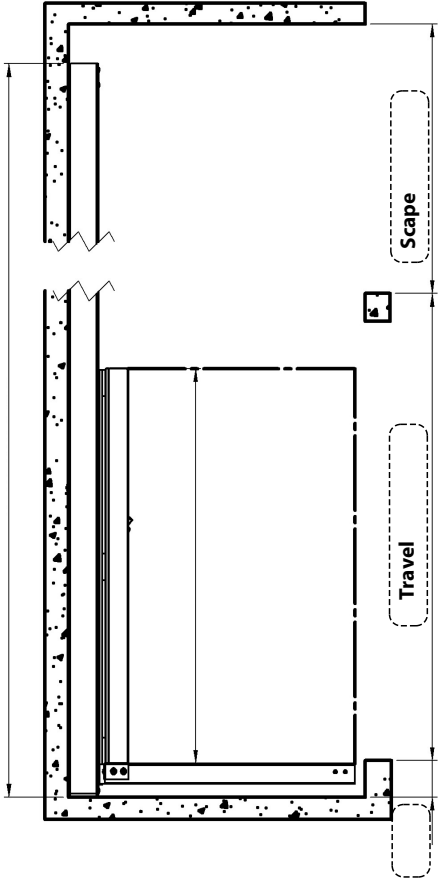
Valued by

**DRAWS**

Boarding type

Type 1  Type 2  Type 3  Type 4  Type 5  Type 6

(Please indicate boarding type and dimensions)



**Landing doors**

Opening side  Left  Right



Position

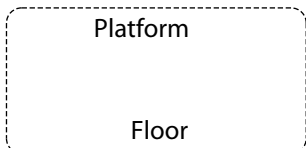
Dimensions

Clear opening   mm

Type

**Platform door**

Opening side  Left  Right

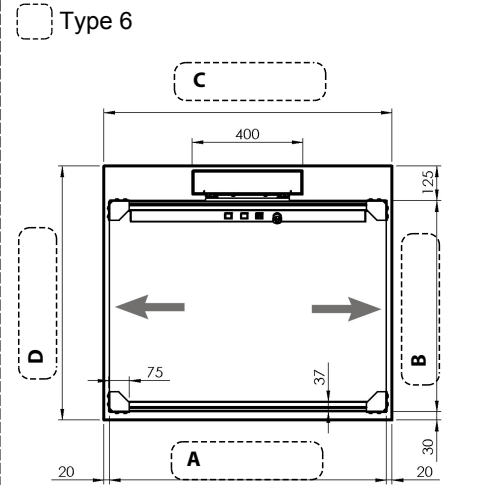
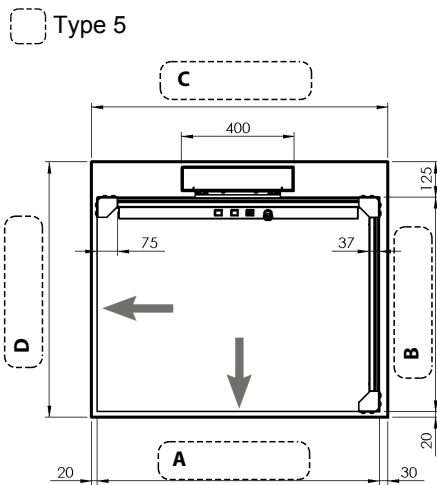
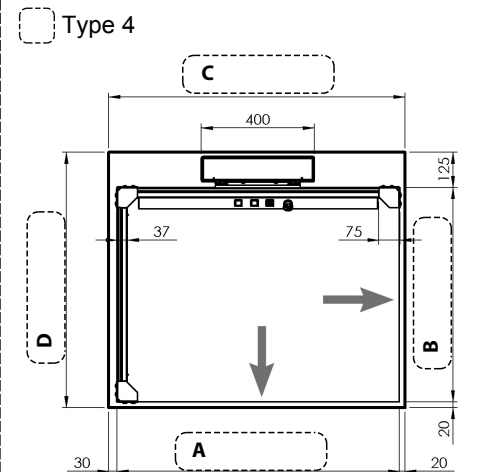
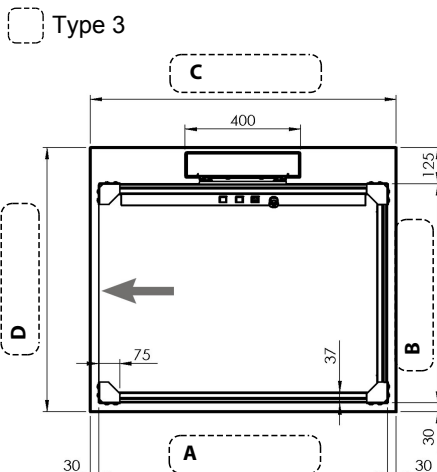
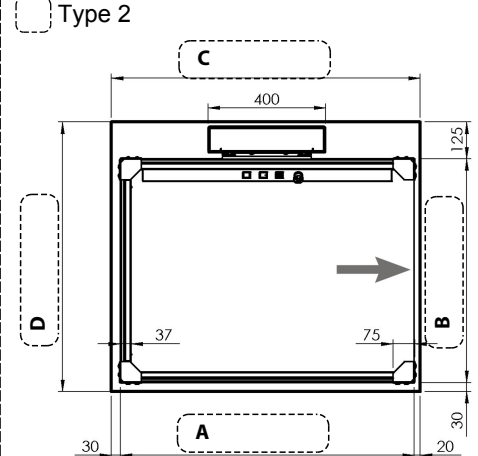
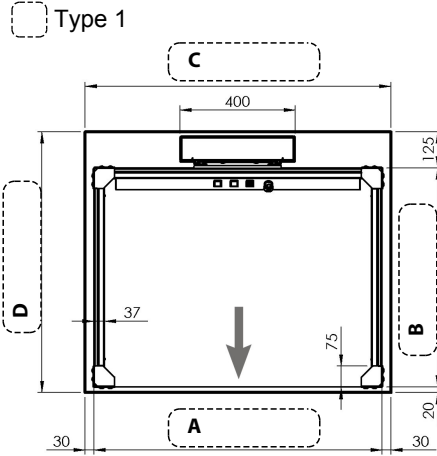


Position

Dimensions

Clear opening

Type



millimeter

**Value**

Total price  €

Taxes and transport not included

Tel. 952 17 80 92

Fax. 952 17 90 69